

## DOS AND DON'TS

- Measurements are to be taken carefully so as to give the bag a proper shape.
- Use the fevicol economically and apply as per the requirement only.
- Place the sheets carefully and exactly one above the other.
- The holes should be inserted with proper care and distance between the holes must be measured precisely.
- Press the paper hard enough on the outer side so as to leave a mark on the inner side.
- Leave the bag before inserting holes to dry for at least 10 min.
- Cardboard must be placed on the inner side of the newspaper bag. Holes of the cardboard and paper bag must coincide when placed to insert the rope.
- Tie 4 to 5 knots with rope inserted in each hole on the inner side of the bag.
- Covering the corners of the base of the bag with small pieces of paper avoids any tearing of the paper from the corner ends.
- Avoid bringing in wet items in contact with the newspaper bag while using to ensure longevity of the newspaper bag.

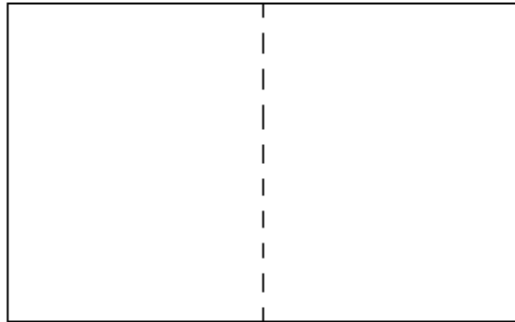
## MATERIALS REQUIRED

(for one newspaper bag)

- 10 sheets of locally available newspaper
- 25 gm of fevicol
- Scissors
- Pencil & Pen
- Scale
- Cardboard 40cm x 6cm
- Rope of 100 cm length

## PROCEDURE

1. Take 10 wide spread sheets of any locally available newspaper.
2. Apply adhesive along the 4 edges of the sheet and place another sheet exactly on top of the sheet and press the edges to make sure that the 2 sheets stick properly as shown in fig(1).



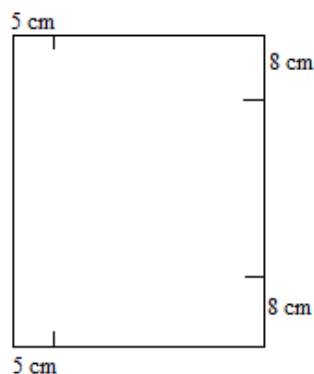
fig(1)

3. Repeat the same step and complete attaching 10 sheets one above the other using the adhesive. Now fold the newspaper vertically exactly in the middle as shown in the fig(2).



fig(2)

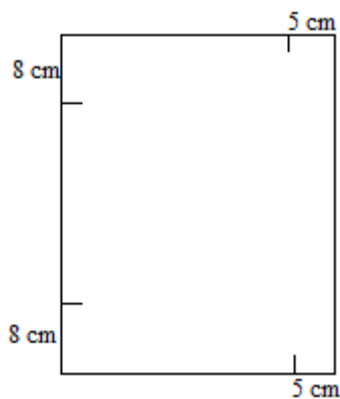
4. Measure 5 cm's from the folded edge of the newspaper on the top and bottom horizontally and make a mark on the outer side of the newspaper as shown in fig(3).
5. Now measure 8 cm's from the top side vertically down and make a mark along the edge of the paper. Similarly measure 8 cm's from the bottom side vertically up and mark a mark along the edge of the paper as shown in fig(3).



fig(3)

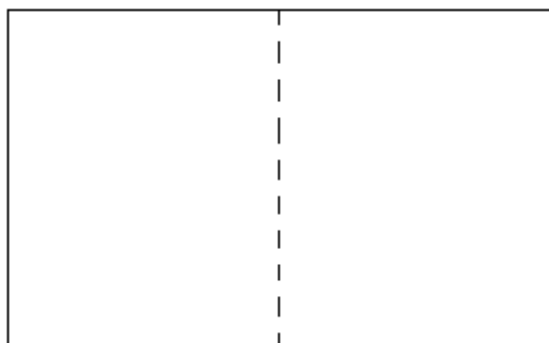
## PROCEDURE

6. Turn the paper to its back and repeat the process mentioned in steps 4 and 5 (on the outer side of the paper) as shown in fig(4).



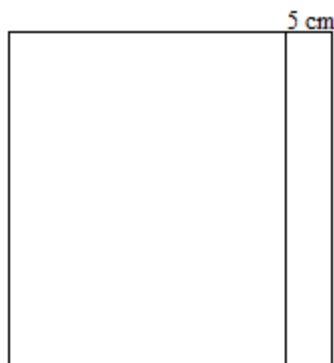
fig(4)

7. Open the paper exactly into half and spread it wide to dry for a couple of minutes as shown in fig(5).



fig(5)

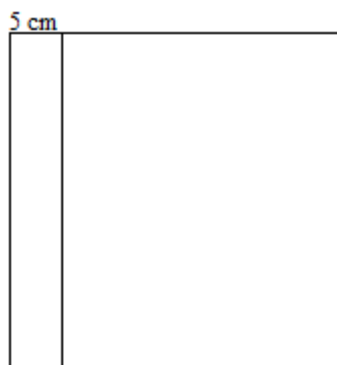
8. Now fold the paper vertically at the point (where 5 cm mark was made) towards the opposite side (5 cm gap must be visible for the ends to meet) and press along the fold so that it leaves a mark on the inner side of the paper as shown in fig(6).



fig(6)

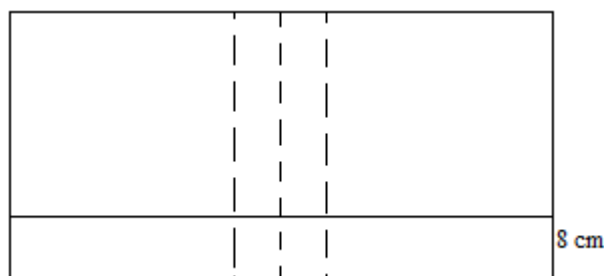
## PROCEDURE

9. Repeat the process in step 6 from the opposite end by folding it towards the inner side of the paper and press along the fold so that it leaves a mark on the inner side of the paper as shown in fig(7).

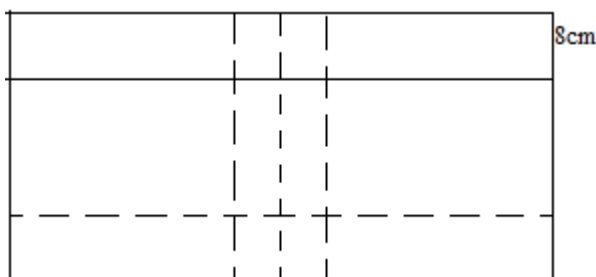


fig(7)

10. Now fold the paper horizontally (where 8 cm mark was made) by bringing the bottom edge of the newspaper upwards as shown in fig(8). Similarly repeat the process by bringing the top side of the paper downwards and fold the paper at exactly 8 cm mark made earlier as shown in fig(9).



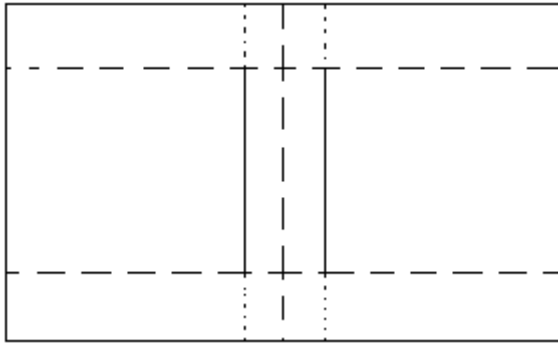
fig(8)



fig(9)

11. Now a small square shape is formed by the folding marks at the top and bottom along the centre of the paper. Cut along the 2 opposite sides of the square and leave the 3<sup>rd</sup> (horizontal) side of the square attached to the paper. Perform this for the squares both at the top and bottom sides of the newspaper as shown in fig(10).

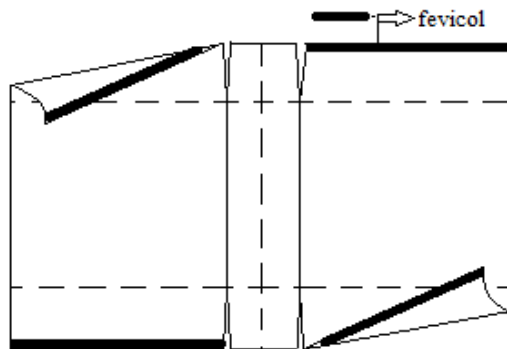
## PROCEDURE



fig(10)

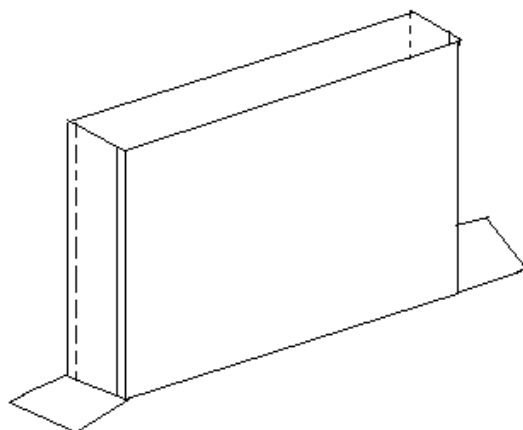
12. Now apply glue on the inner side of the bottom left edge of the paper till the cut edge of the square and on the right side apply glue on the outer side of the paper as shown in fig(11).

13. Repeat the same on the top side of the paper as well. And leave the part of the square without applying adhesive as shown in fig(11).



fig(11)

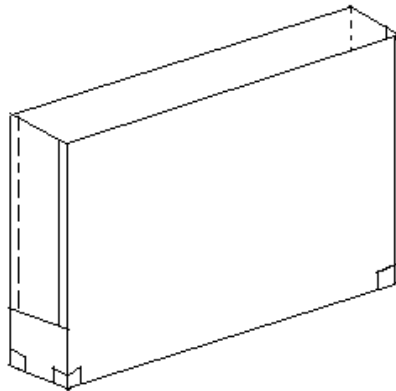
14. By placing the left side touched to ground gently push the right bottom edge towards the left and stick the left bottom side over the right bottom side by applying enough pressure to form the side of the newspaperbag. Repeat the process on the top side of the paper as well to form the other side of the bag as shown in fig(12)



fig(12)

## PROCEDURE

15. Apply glue to the square piece on the inner side and fold it towards the stuck sides and press it. Apply glue to the opposite piece and attach it on the side of the bag as shown in fig(13). Also cut around 4 sets of 4 small pieces of paper in square form, stick each set together and cover all 4 corners of the base of the bag with these 4 sets as shown in fig(13).



fig(13)

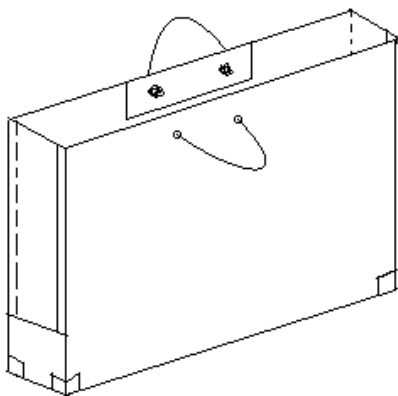
16. Place the bag aside to dry and strengthen for 10 min's. In the meantime take cardboard and cut it into 2 pieces of 20cm x6cm dimensions and insert 2 holes in the middle of each cardboard ensuring distance between the 2 holes being 10 cm.

17. Take a rope of 100cm and cut it into half of 50 cm each.

18. Now take the bag and insert 2 holes horizontally 5cm below the top edge ensuring the distance between both the holes is 10 cm.

19. Now place the cardboards so as to coincide with the holes of the bag on the inner side and insert the two ends of a rope into the holes of the paper bag and the cardboard and tie 4 knots with rope on the inner side of the bag over the cardboard.

20. Similarly do the same with the other piece of the rope on the other side of the newspaper bag. These two knotted ropes act as handles and the newspaper bag is ready for use now as shown in fig(14).



fig(14)